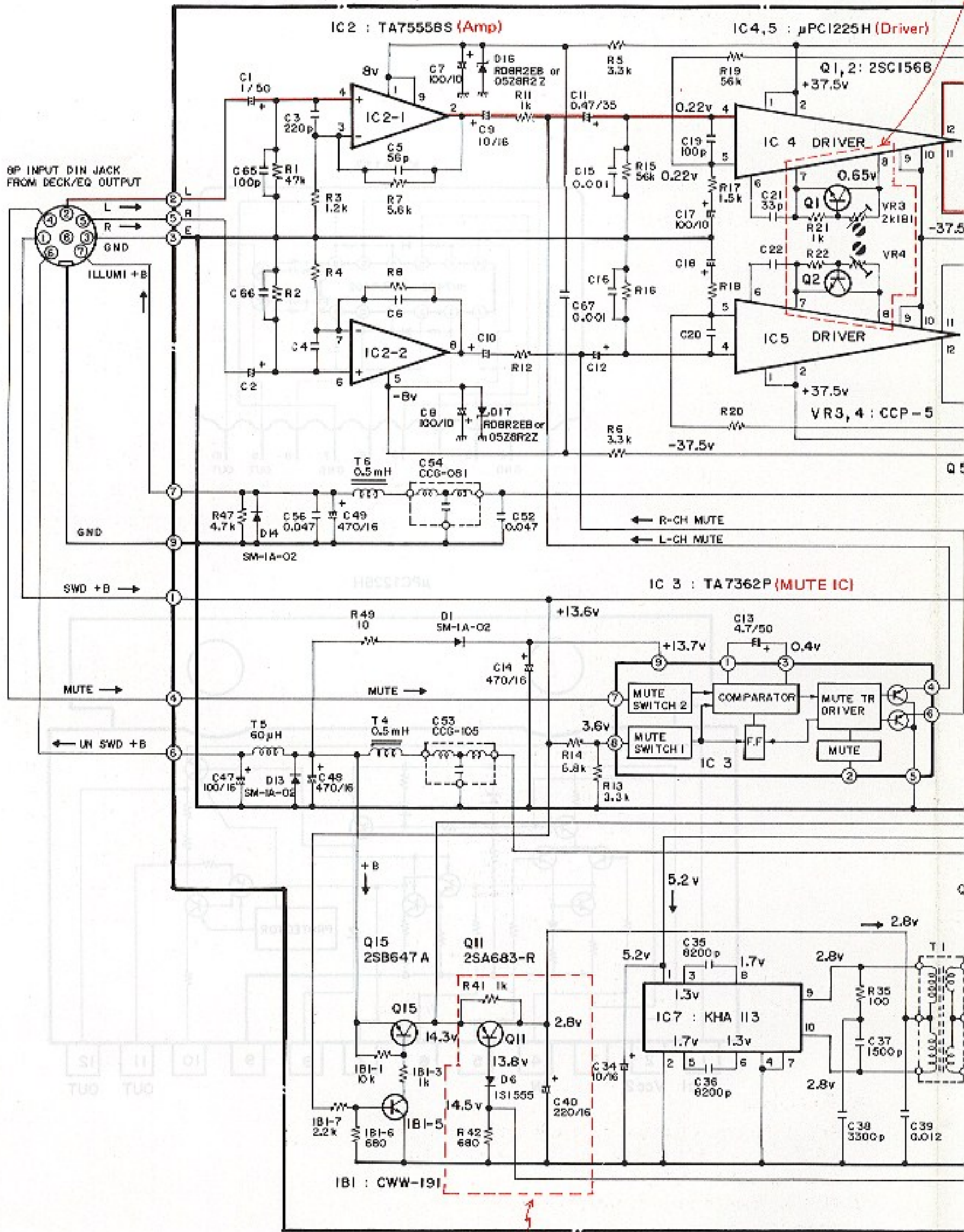
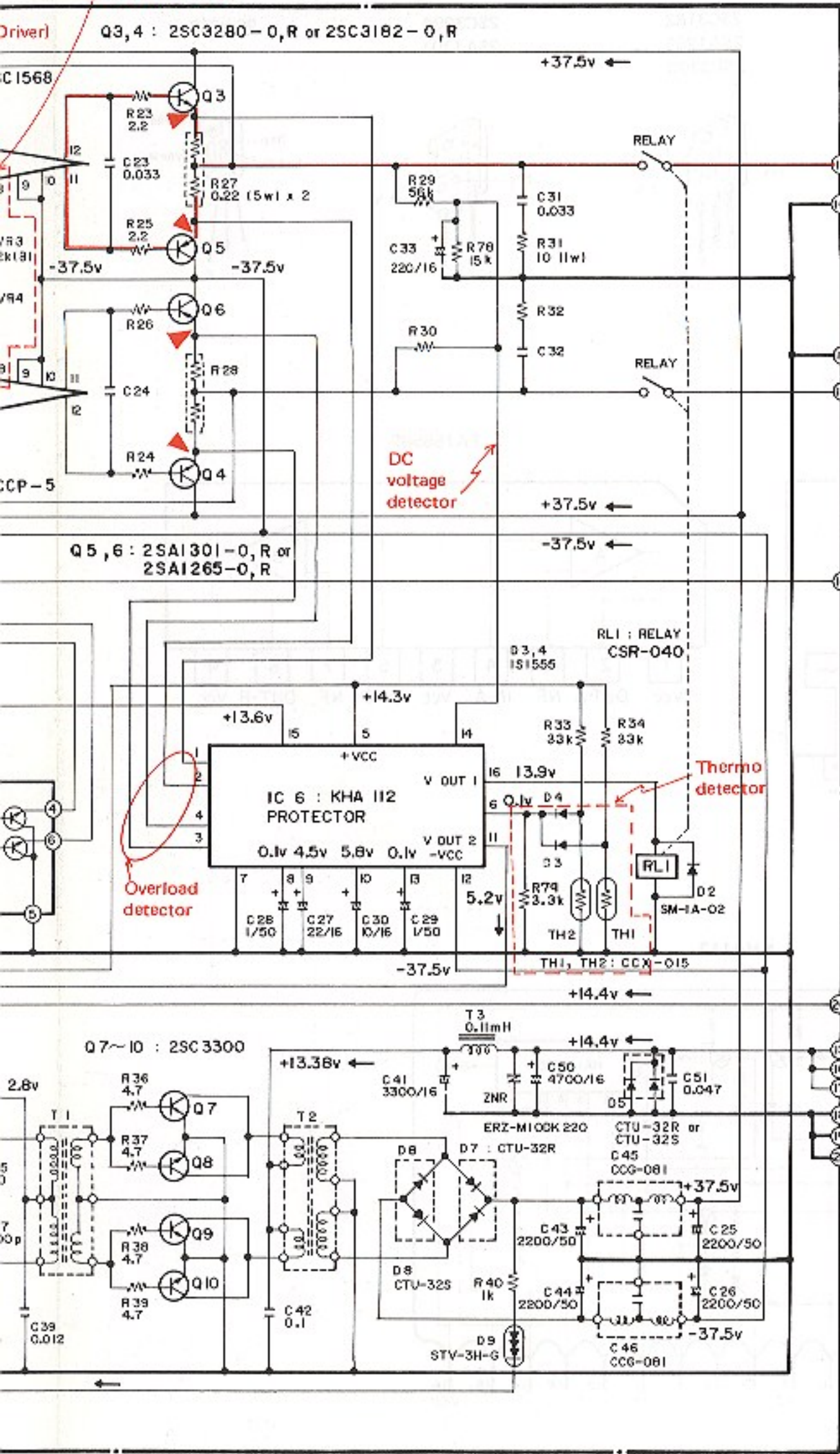


# AMP UNIT (CWM-264)

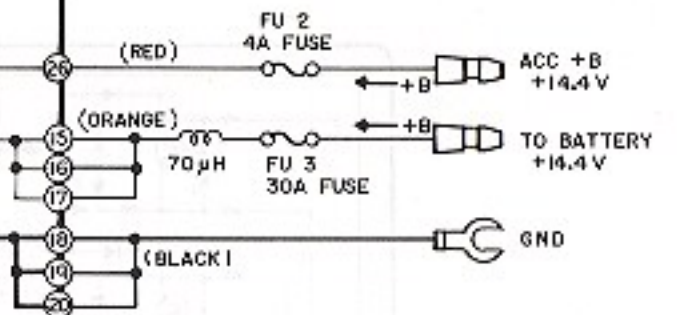
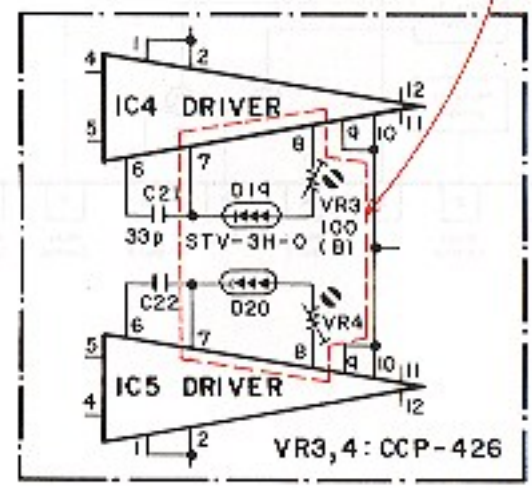


Circuit for drive control of the base of the switching transistor (Q7)

Be sure to use Q3, Q5 and Q4, Q6 in the same rank when servicing.



- This is the circuit configuration with O-rank or R-rank power transistors used for Q3, Q5 and Q4, Q6.
- Be sure to use Q3, Q5 and Q4, Q6 the same rank when servicing.



transistor (Q7 ~ Q10)